

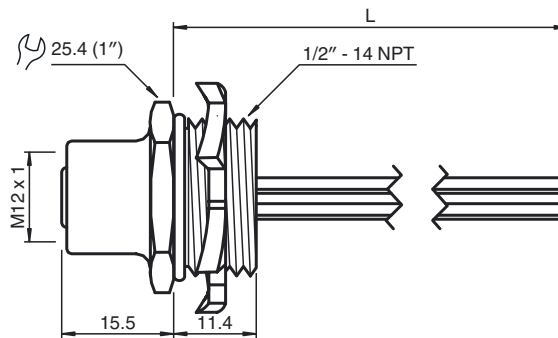


Model Number

1/2" NPT-V1-G-1M

Female receptacle, M12/ 1/2" NPT, 4-pin

Dimensions



Technical data

General specifications

Number of pins	4
Construction type	straight
Connection 1	socket
Threading 1	M12
Connection 2	cable end
Threading 2	1/2"

Electrical specifications

Operating voltage	U_B	max. 300 V AC/DC
Operating current		max. 4 A

Ambient conditions

Ambient temperature	-40 ... 105 °C (-40 ... 221 °F)
---------------------	---------------------------------

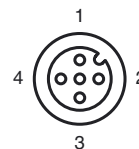
Mechanical specifications

Degree of protection	IP67	
Connection	Single strand leads	
Material	anodized aluminum	
Contacts	Gold plated copper alloy	
Slotted nut	Zinc plated steel	
Sleeve connector	Polyamide (PA)	
Seal	BUNA-N	
Cable		
Cores	4 x 0.34 mm ² , 22 AWG	
Length	L	1 m
Note		1/2" - 14 NPT installation thread

Approvals and certificates

UL approval	cULus Listed, General Purpose
-------------	-------------------------------

Electrical connection



Electrical connection

1)	BN
2)	WH
3)	BU
4)	BK